



TITLE
**CABLE DISPLAY
VIDEO**

INVENTORY NO.
CC-2115-2.1-3

DATE OF ISSUE
6/26/2019

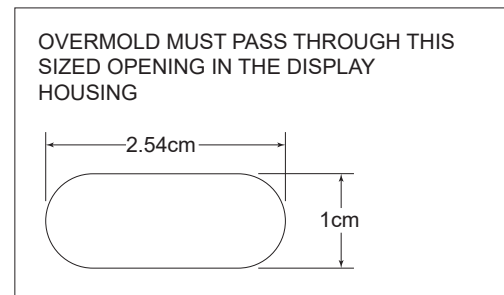
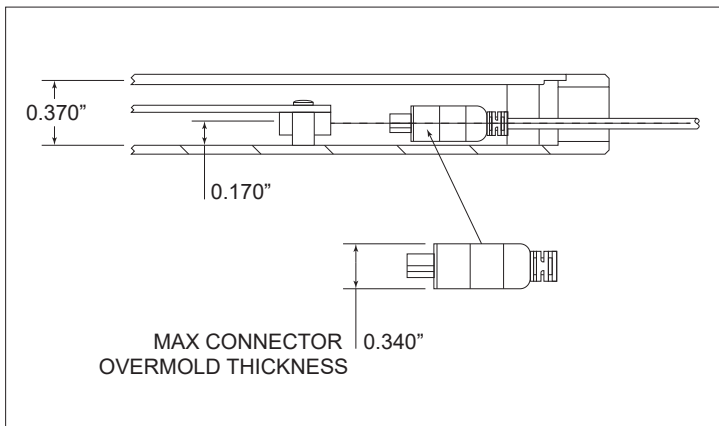
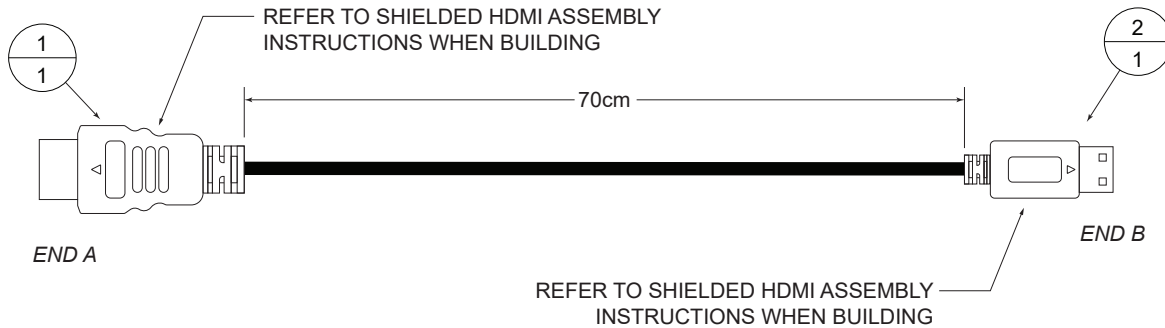
SHEET
1/1

CREATED BY
LUCAS GRUNER

7/18/2019

APPROVED BY
X

X/X/2019



PARTS LIST

ITEM	MFG	MFG PART NO.	DESCRIPTION	QTY
1	CABLE MFG	N/A	HDMI A, 360-DEGREE SHIELD BOND	1
2	CABLE MFG	N/A	HDMI MINI C, 360-DEGREE SHIELD BOND	1
3				
4				
5				
6				
7				
8				

NON CRITICAL COMPONENTS CAN BE UPDATED BY MANAGEMENT FOLLOWING AN ENGINEERING CHANGE ORDER (ECO).

THIS DRAWING CONTAINS INFORMATION WHICH IS THE EXCLUSIVE PROPERTY OF CLEAR BALLOT GROUP. REPRODUCTION OR USE BY OTHERS IS NOT PERMITTED WITHOUT THE EXPRESS WRITTEN CONSENT OF CLEAR BALLOT GROUP.