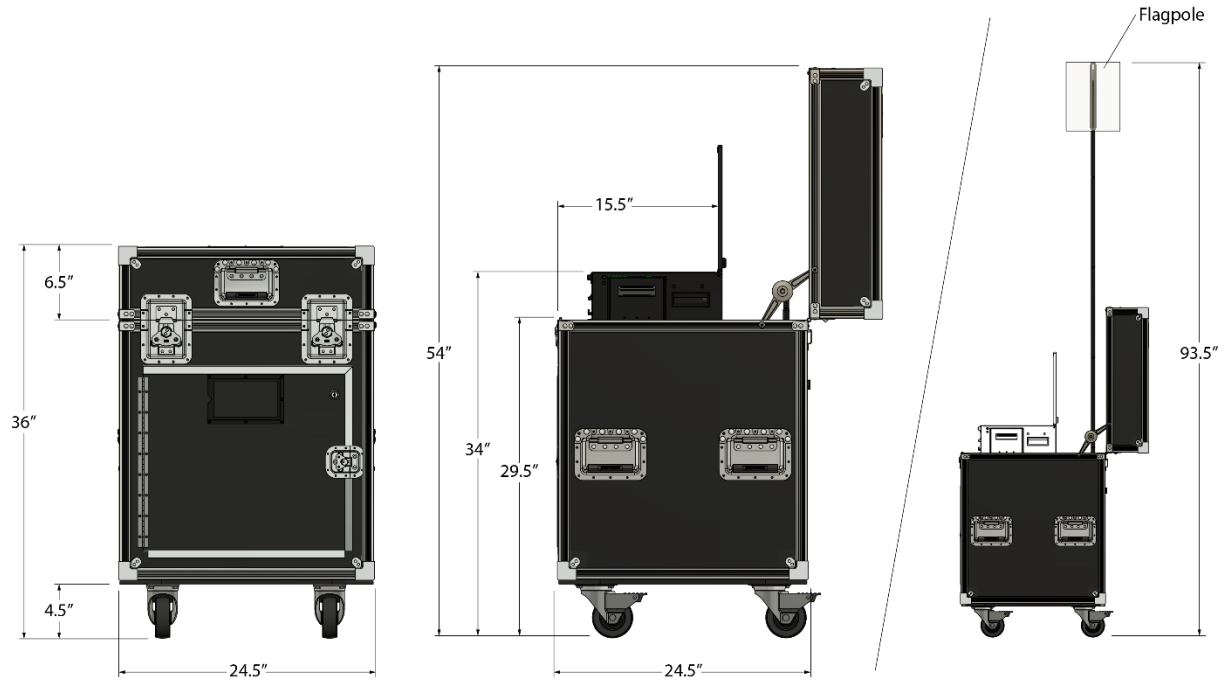




61220-1-1 Ballot Box Datasheet

Clear Ballot

104006-0014-H



Physical Characteristics

Dimensions	Height (closed): 36" Height (open): 54" Height (two stacked): 71" Width: 24.75" Depth: 24.75" Ground clearance: 4.5" Flagpole height: 93.5"
Enclosure Material	3/8" plywood with laminated ABS plastic finish 6000 series aluminum extrusions
Enclosure Finish	Matte black ABS
Weight	Ballot box only: 86 lbs. Ballot box with ClearCast Go: 111.6 lbs. Full ballot box (18" ballots) with ClearCast Go: 206 lbs.

ClearCast Compatibility	ClearCast Go
Wheels	3.5" swivel rubber casters with total lock brakes
Ballot Bin	ClearBallot reference number: 61300-1-1 Plastic 21 7/8" x 15 1/4" x 17 1/4" 8 lbs

Security

Tamper Evident	Can be used with tamper evident ties and seals
Locks	Tubular pin tumbler lock 7 pins

Maximum Ballot Capacity

11" Ballots, 65lb cover	In ballot bin: 2,000 Loose: 3,800
14" Ballots, 65lb cover	In ballot bin: 2,000 Loose: 3,300
18" Ballots, 65lb cover	In ballot bin: 1,900 Loose: 2,600

Power

Included Cable	10' long NEMA 5-15-P to IEC C14 (right angle) <i>Use only with 120V outlets</i>
-----------------------	---

Storage and Handling

Storage	Each Ballot Box occupies approximately 12.9 ft ³ Ballot Boxes can be stacked up to two high. All ballot box wheels should be locked while in storage.
----------------	--

Environmental Conditions	<p>Should be stored under climate control for temperature and humidity 50° to 95° and up to 80% relative humidity</p> <p>Tested to withstand -4° to 140° F</p> <p>Can tolerate humidity equivalent to the procedure of MIL-STD-810D, Method 507.2, Procedure I-Natural Hot-Humid</p>
Handling	<div data-bbox="513 478 662 611" data-label="Image"> </div> <p>Lifting hazard: single person lift could cause injury. Get help when lifting the ClearCast Ballot Box.</p> <p>Ensure wheels are locked when the Ballot Box is in use.</p> <p>Do not stack Ballot Boxes during transport.</p>

Certification	
ClearVote	<p>Please refer to Clear Ballot's Approved Parts Lists for the ClearVote version(s) under which this product is certified.</p>