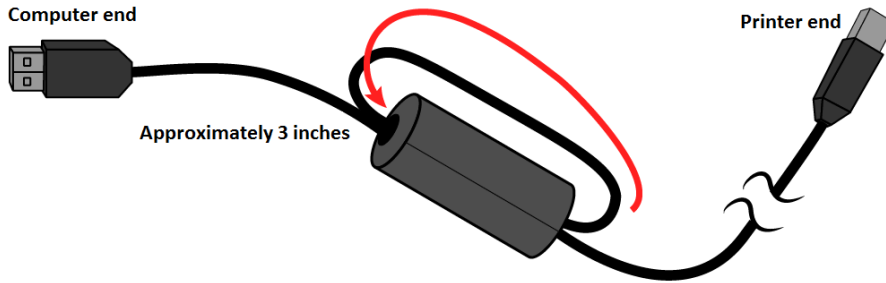


## Equipment Modification

### Printer cable modification

#### Okidata B432dn printer



1. Apply a ferrite on all USB printer cables approximately 3 inches from the computer end.

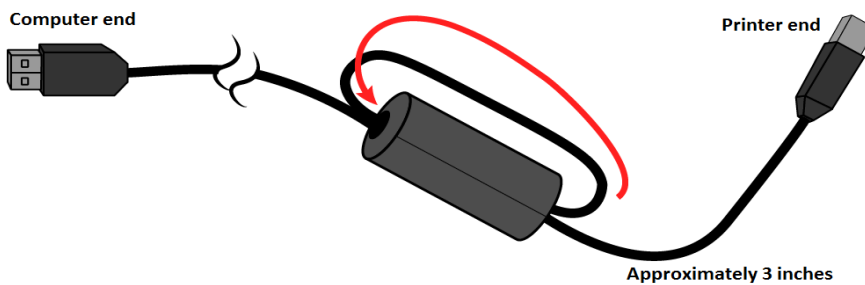


The ferrite part number is WURTH 742-416-33S-CBG1. Consult Clear Ballot product management if you are unable to obtain this exact part number.

2. Loop the cable to capture two passes of it inside the ferrite, and then snap the ferrite closed.

### Printer cable modification

#### Brother HL-L2340DW printer



1. Apply a ferrite on all USB printer cables approximately 3 inches from the printer end.

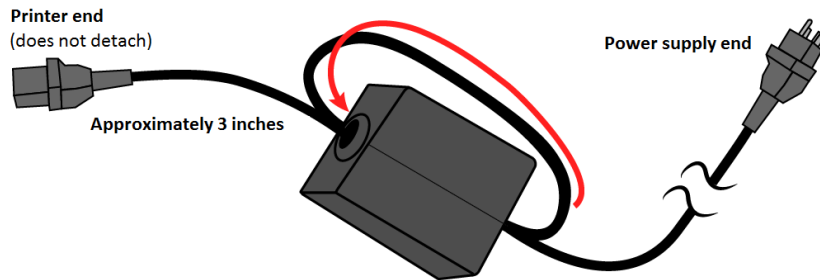


The ferrite part number is WURTH 742-416-22S-CBG1. Consult Clear Ballot product management if you are unable to obtain this exact part number.

2. Loop the cable to capture two passes of it inside the ferrite, and then snap the ferrite closed.

## Power cord modification

### Brother HL-L2340DW printer



1. Apply a ferrite on the power cord approximately 3 inches from the printer.

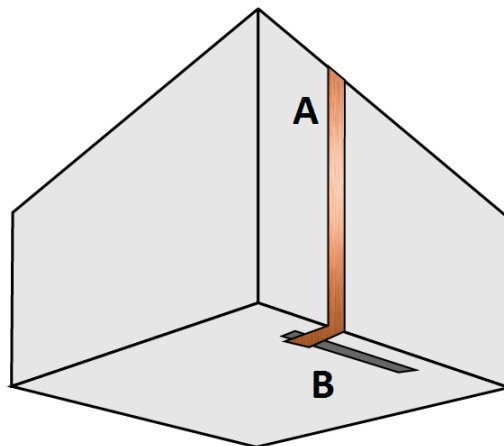
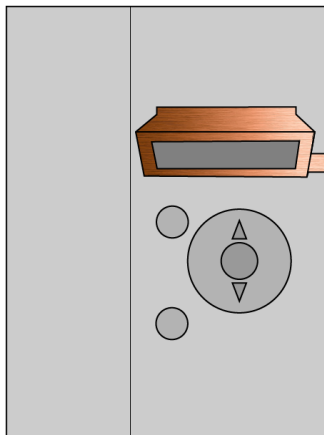


The ferrite part number is WURTH 742-716-22S-CBG1. Consult Clear Ballot product management if you are unable to obtain this exact part number.

2. Loop the cord to capture two passes of it inside the ferrite, and then snap the ferrite closed.

## Printer modification

### Okidata B432dn printer



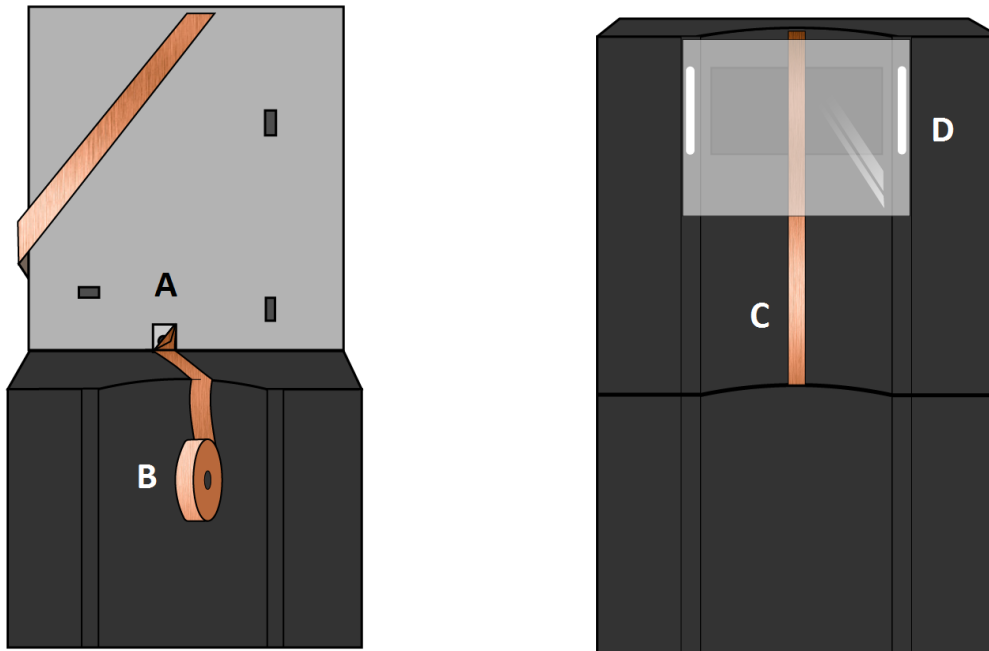
1. Attach ¼" copper tape to enclose all four sides of the printer's display.
2. Run the tape down the side of the printer (A), attaching it to metal on the underside (B).



The EAC mark of certification or a Clear Ballot logo label can be placed over the tape on the side of the printer to protect it.

## UPS modification

### APC Smart-UPS SMT2200



1. Remove the front upper cover from the APC 2200.
2. Cover the metal screw with  $\frac{1}{4}$ " copper tape (A), but do not cut it from the roll.
3. Unroll the tape until it hangs over the edge of the body (B), and replace the front upper cover.
4. Run the tape up the front of the unit to the top of the display, and cut it from the roll (C).
5. Apply a 2" x 4" Lexan or acrylic plastic cover (8 mm or thicker) over the display. Superglue works well for this. Be sparing in the application of the glue. Place the glue to capture the vertical protrusions of the APC cover (D).

100126-10010